

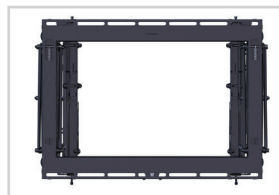
Model: **LMV**

Typical Screen Sizes: 37-65 in. Weight Capacity: 160 lb / 72 kg.

## Features

- 1** Industry's first Press & Release™ Design for easy service access in under 5 seconds
  - 2** Scissor-design with compact mounting arms allow for extension in one smooth motion with a slight press to the display edge
  - 3** Top-adjustable fine-tune mounting brackets ensure post-installation alignment
- Spring-loaded locking mechanism provides quick release from locked position
  - “Click-It” locking feature confirms display is secure through an audible noise
  - Single latch design and smaller base frame size provide quick and easy installation
  - Laser cut, precision design spacers ensure seamless alignment without need for time consuming adjustments
  - Universal spacer kit included

The LMV Press & Release™ Pop Out Mount is a customizable video wall extending flat panel mount for displays weighing up to 160 lb./72 kg with a mounting pattern of 200 x 200 (min) to 600 x 400mm (max). It features multi-monitor stacking, spring-loaded release, open design, custom spacers, top adjustable mounting brackets and scissor-design for smooth extension.



Open frame design allows for quick and easy access to cables and wiring



Spring-loaded locking mechanism provides quick release in under 5 seconds



Top-adjustable fine-tune mounting points allow for post-installation alignment

# Press & Release Pop Out Mount

## LMV




### Specifications

<b>Weight</b> 44.38 lb.   20.2 kg	<b>Color</b> Black	<b>Weight Capacity / Mount</b> 160 lb.   72.7 kg	<b>Mounting Pattern</b> 200 x 200 mm (Min) x 600 x 400 mm (Max)
<b>Width x Height x Depth</b> 28.9 x 19.5 x 5.10-13.19 in.   734 x 495 x 129-335 mm		<b>Total Weight Capacity</b> 160 lb.   72.7 kg	<b>Warranty</b> Lifetime

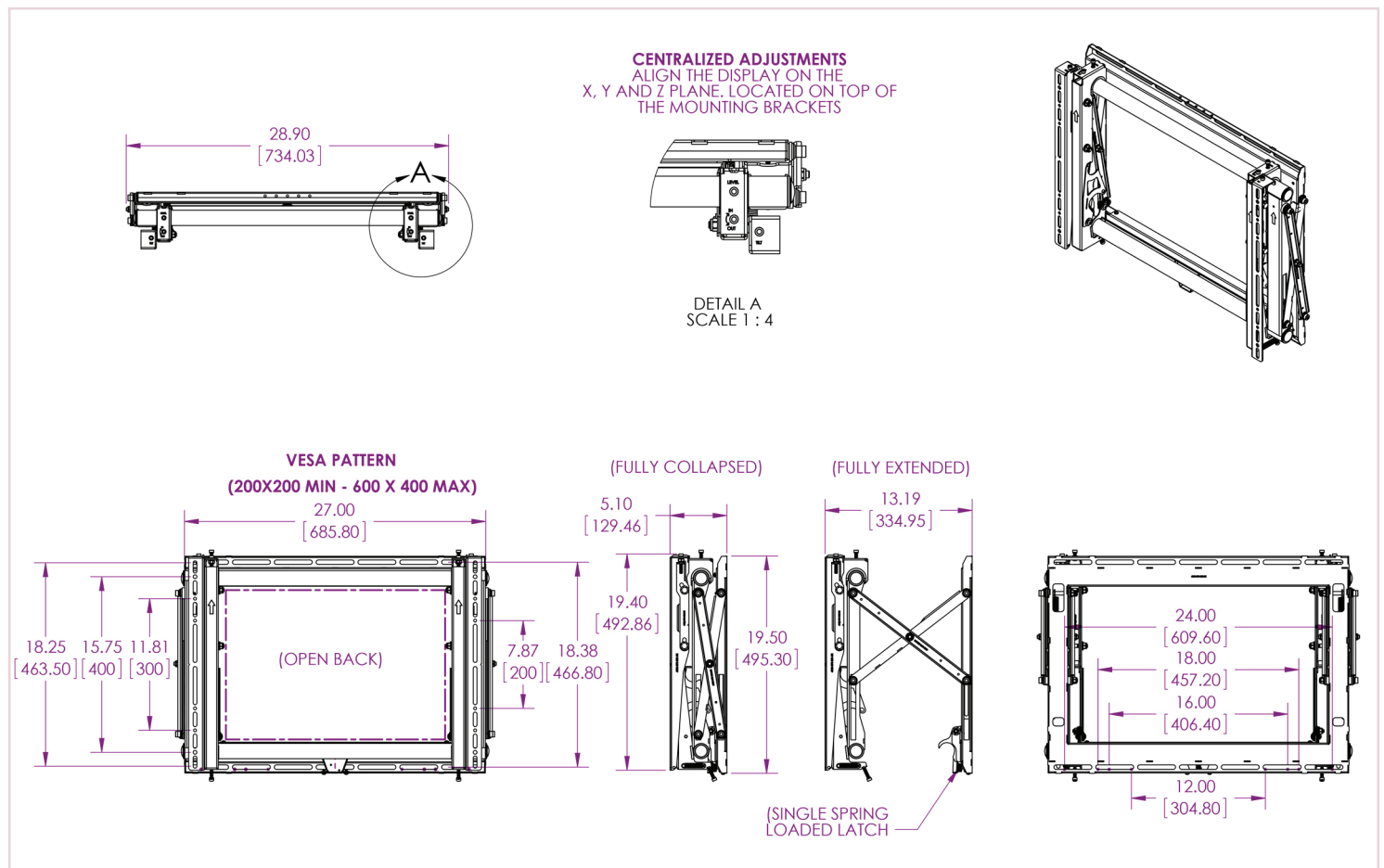
### Packaging

<b>Width x Height x Depth</b> 23.5 x 5.5 x 35 in.   597 x 140 x 889 mm	<b>Contents</b> Mount (x1), Adapter Arms (x2), Universal Hardware Pack (x1)
---	--

### Accessories

 In-wall A/V and Power GearBox™ <b>GB-INWAVPB</b>	 Model-Specific Video Wall Spacer <b>LMV-345</b>	 Model-Specific Video Wall Spacer <b>LMV-406</b>
---	--	--

### Architectural Drawing



Specifications subject to change without notice